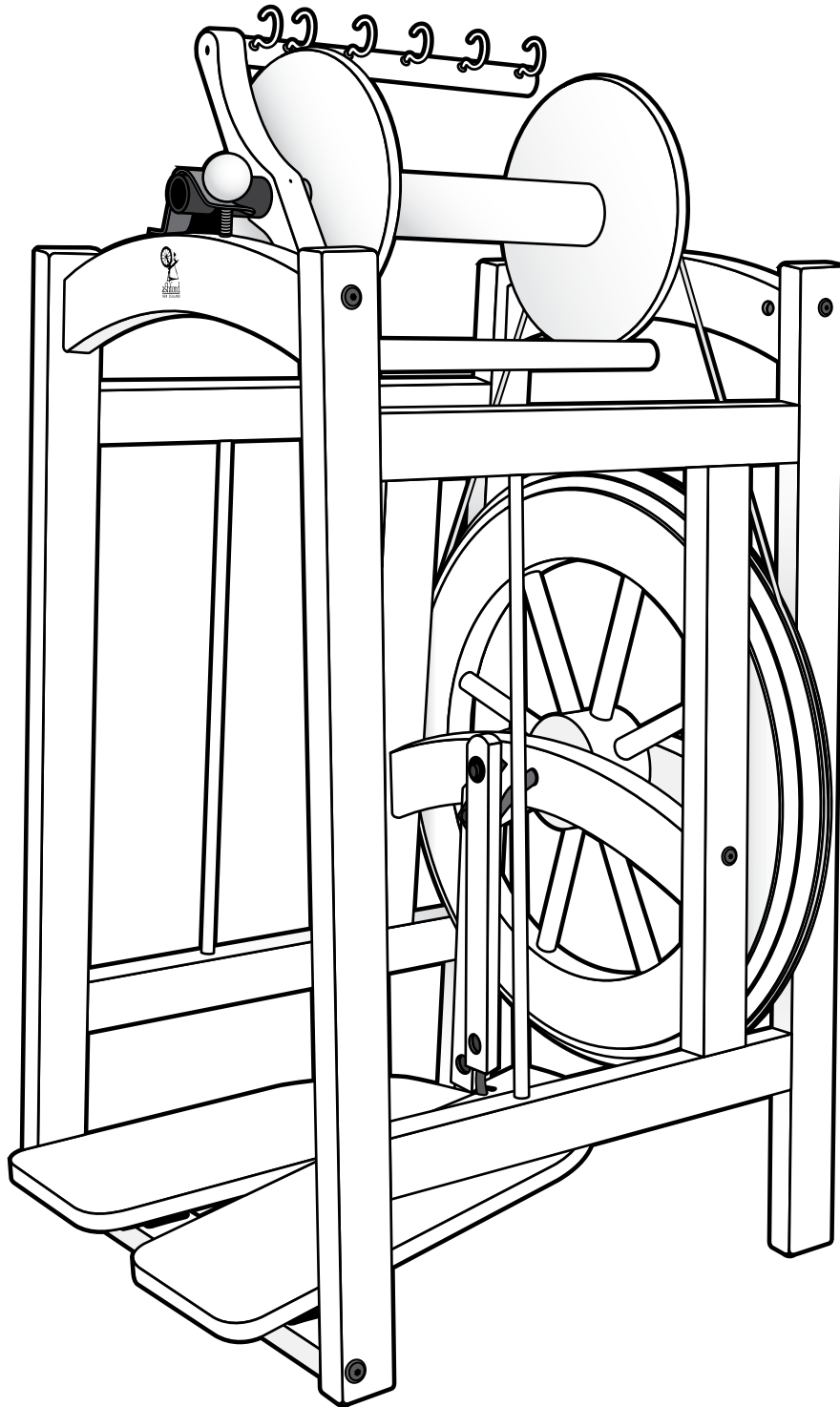


## ASHFORD COUNTRY SPINNER 2



CS214082014V4

# ASSEMBLY INSTRUCTIONS FOR THE ASHFORD COUNTRY SPINNER 2

Before commencing, please read these instructions completely, identify the parts and note the assembly sequence.

Remove any sharp corners or edges and smooth the surface of the wood with the sand paper provided. We recommend that the wood surfaces be waxed or sealed before assembly. This protects the kiln dried wood from the climatic changes and prevents it getting dirty or stained. The Silver Beech tree is a native of New Zealand and has a lovely variety

of colour and grain. For a silky smooth matt finish, use the Ashford Wax Finish to enhance the natural colours and character of this timber.

If you are assembling your Spinner on a table, we recommend you protect the surface with a towel, blanket or cardboard.

## Tools Required



Screwdriver



Hammer



Allen Key

(including)

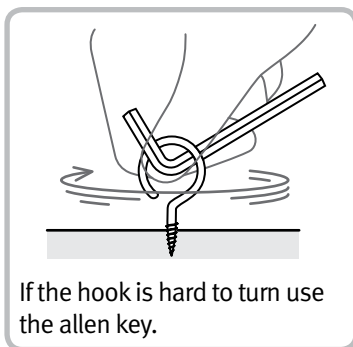
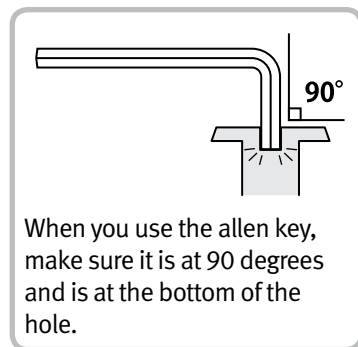
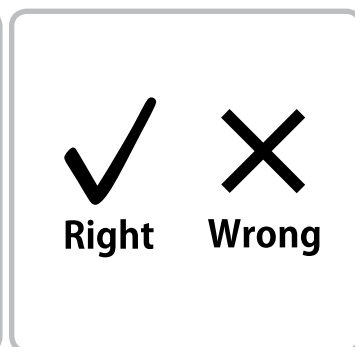
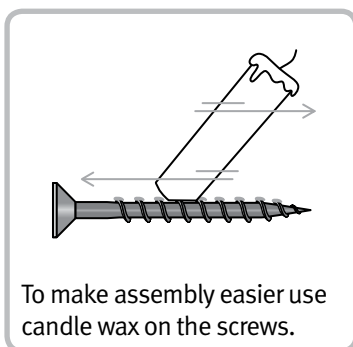
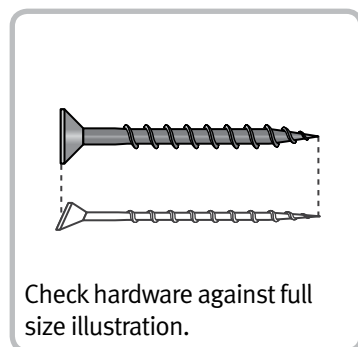


OIL



CANDLE WAX

## Hints



## More Information



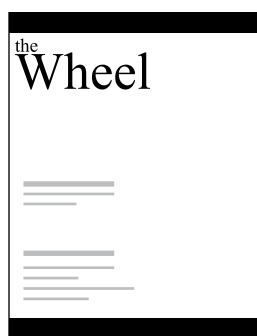
### How-to videos on You Tube

Watch our how-to videos on You Tube.  
[www.youtube.com/user/AshfordHandicrafts](http://www.youtube.com/user/AshfordHandicrafts)



### Facebook

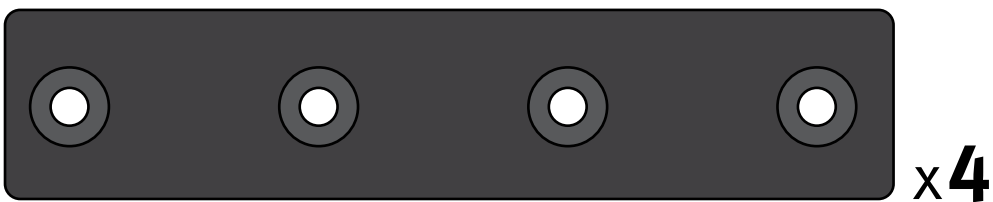
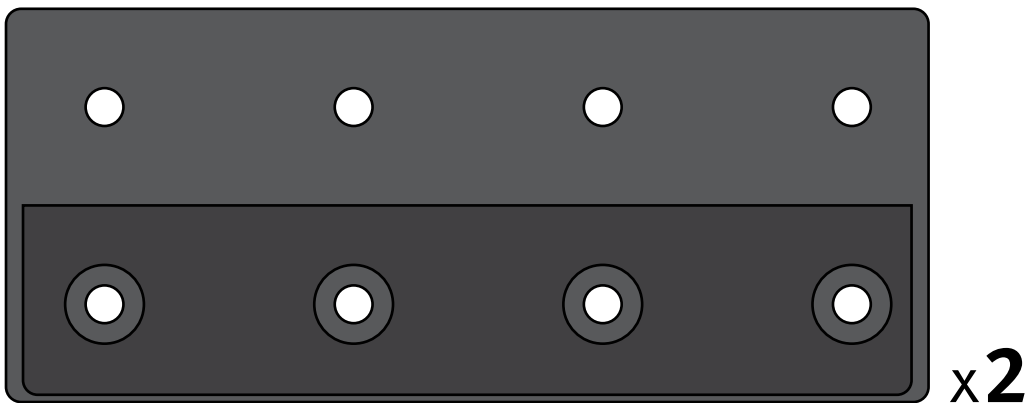
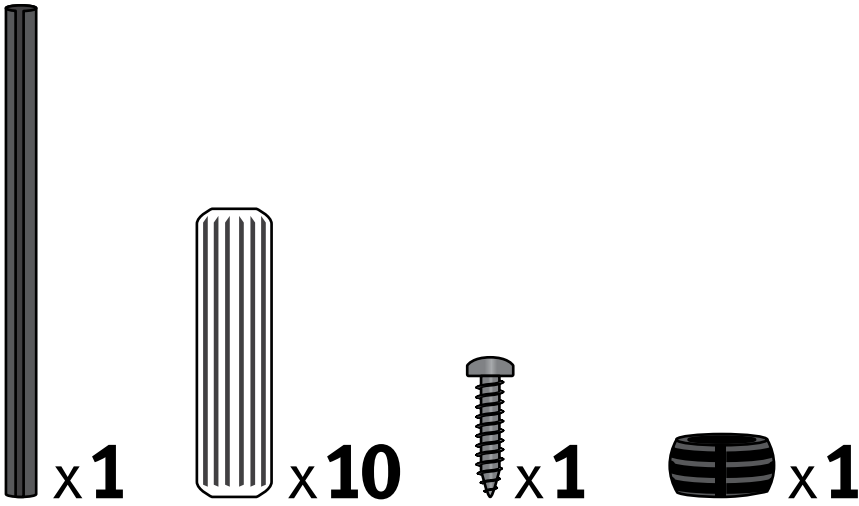
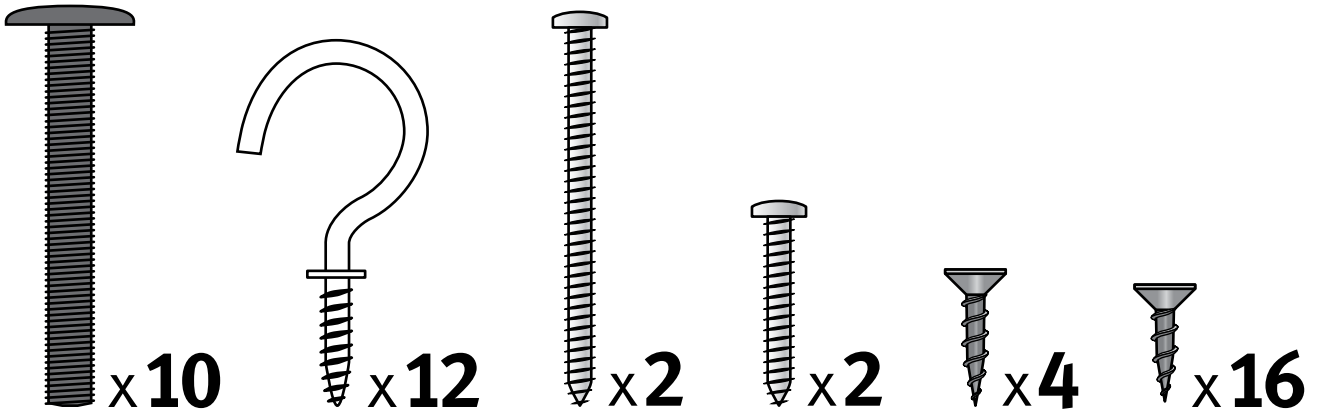
Join us on facebook.  
[www.facebook.com/ashford.wheels.looms](http://www.facebook.com/ashford.wheels.looms)



### The Wheel Magazine

Ashford's annual fibre craft magazine. Spinning, weaving, felting, dyeing and knitting projects, patterns and articles from around the world. To receive the glossy version delivered to you, subscribe at: [www.ashford.co.nz/subscribe](http://www.ashford.co.nz/subscribe)

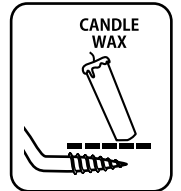
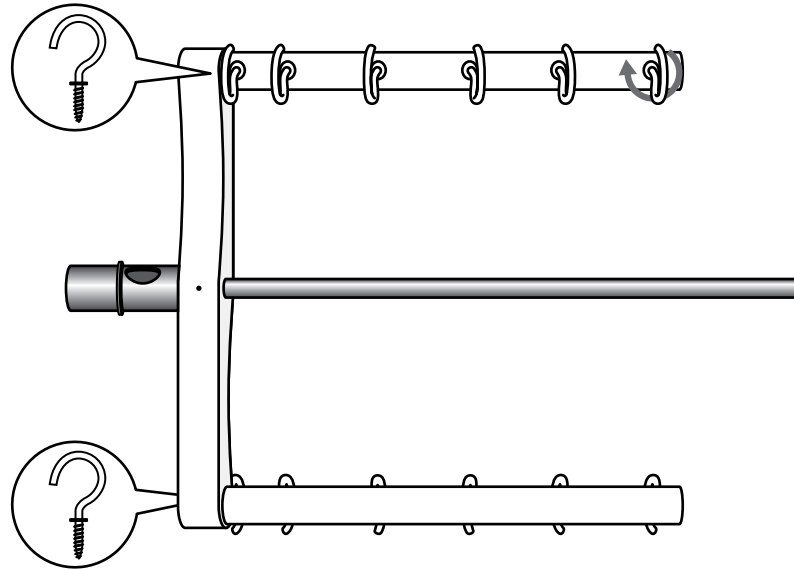
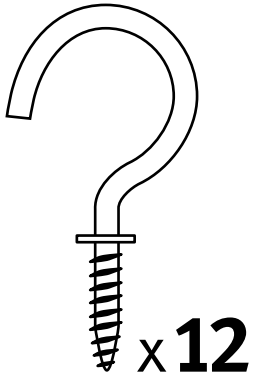
# Real Scale Hardware List



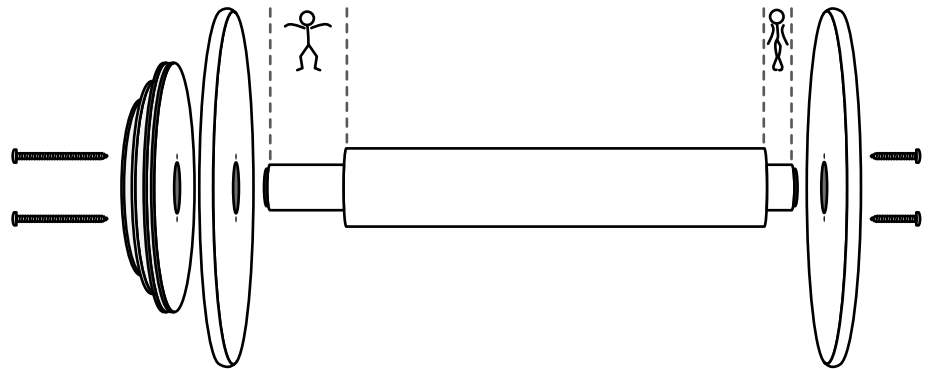
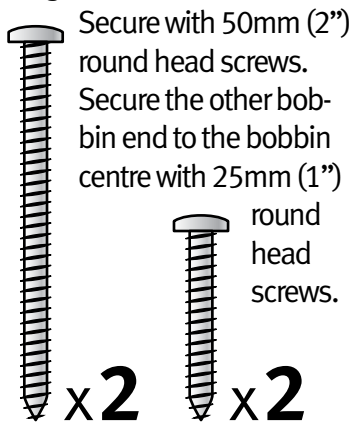
Metal Plate



Thread the flyer hooks into the flyer arms.



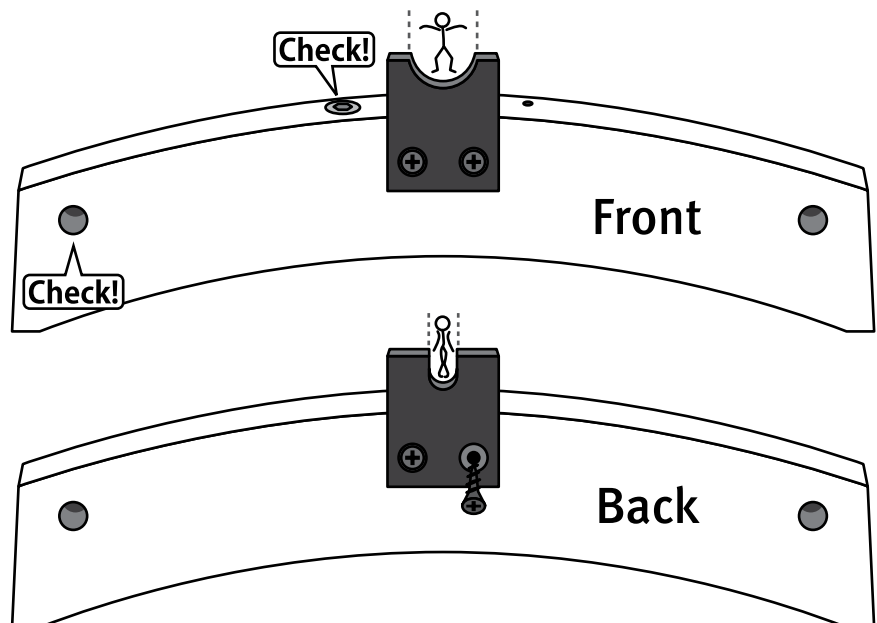
Assemble the bobbin by placing one bobbin end and the bobbin whorl over the long end of the bobbin centre.



Attach the front flyer bearing with the large slot to the top front rail with 19mm (3/4") screws.

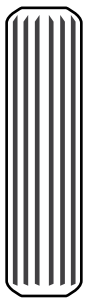
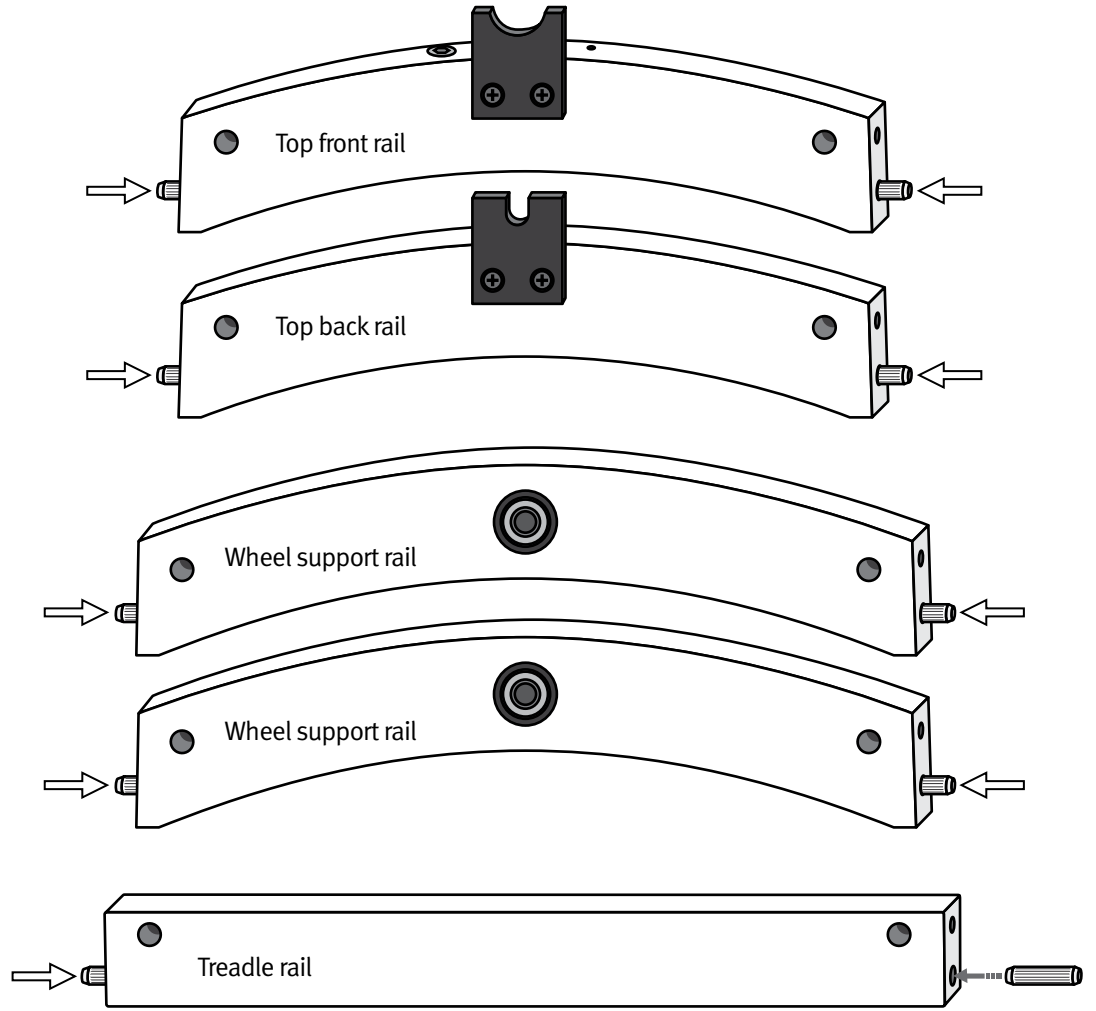
**CHECK:** The front top rail has provision for the flyer brake.

Attach the back flyer bearing with the small slot to the top back rail with 19mm (3/4") screws.



4

Insert wooden dowels into both ends of the rails.



x10

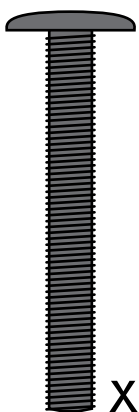
5



Locate the dowels on one end of the top front rail, the top back rail, both wheel support rails and the treadle rails into the holes on one side of the frame. Then loosely attach with 50mm (2") bolts and barrel nuts.

**HINT:** Use a screwdriver to align the hole in the barrel nut which is in the same direction as the long slot.

**CHECK:** The ball bearings face each other.

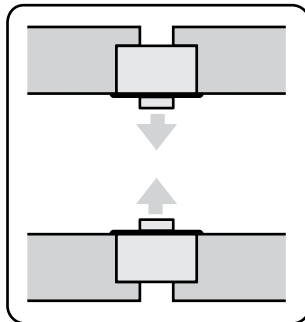


x5

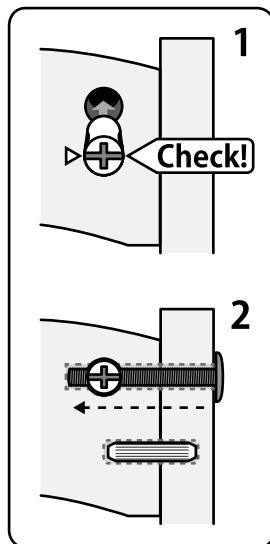
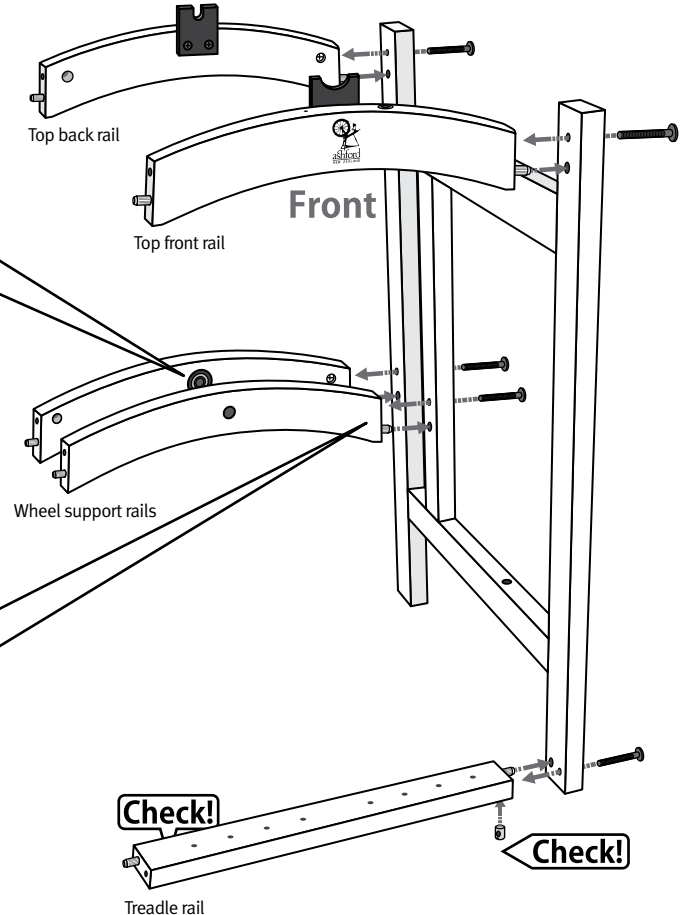


x5

Check!



Back



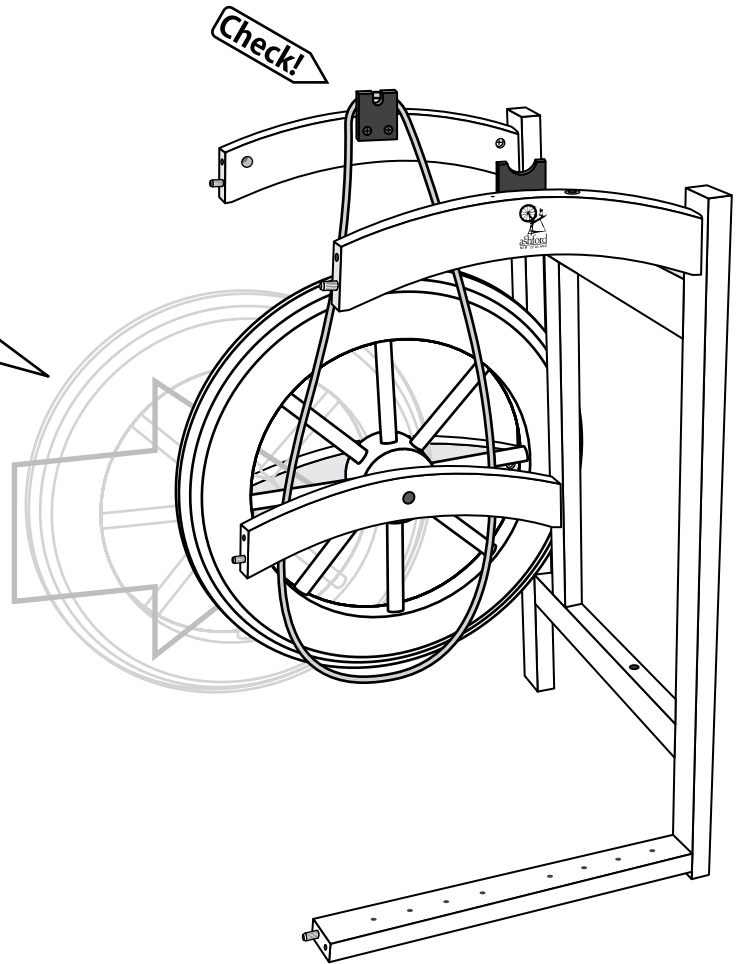
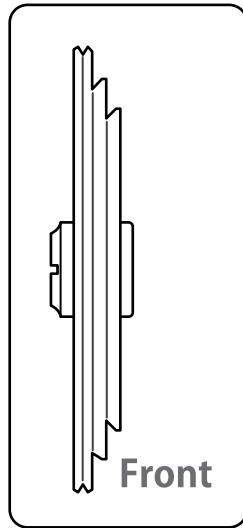
6

Hook the drive belt over the back flyer bearing and hang it between the 2 wheel support rails.

Position the wheel between the 2 wheel support rails.

**CHECK:** The smallest groove in the wheel is towards the front of the Spinner.

**Check!**

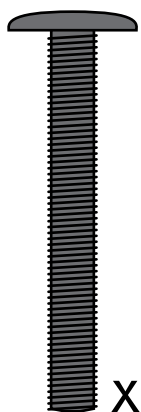


7



Position the other side onto the wooden dowels in the ends of the 5 rails. Then loosely attach all 5 rails with 50mm (2") bolts and barrel nuts. Support the wheel and carefully lay the Spinner on its back to attach the treadle rail. Sit the Spinner back on its feet on a level surface.

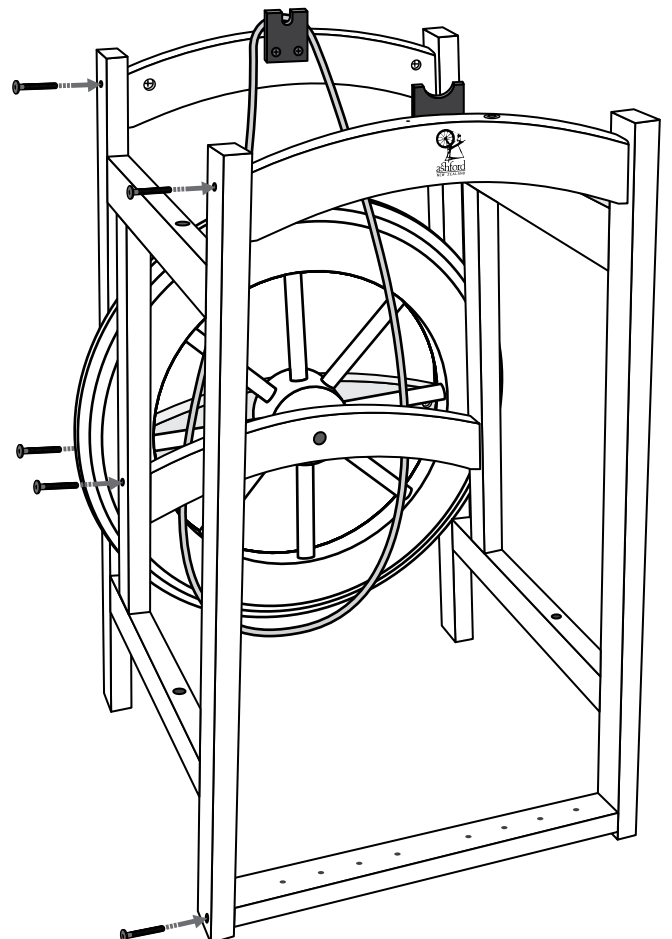
**CHECK:** The top and wheel support rails are parallel with the legs. Then tighten all bolts.



x5



x5



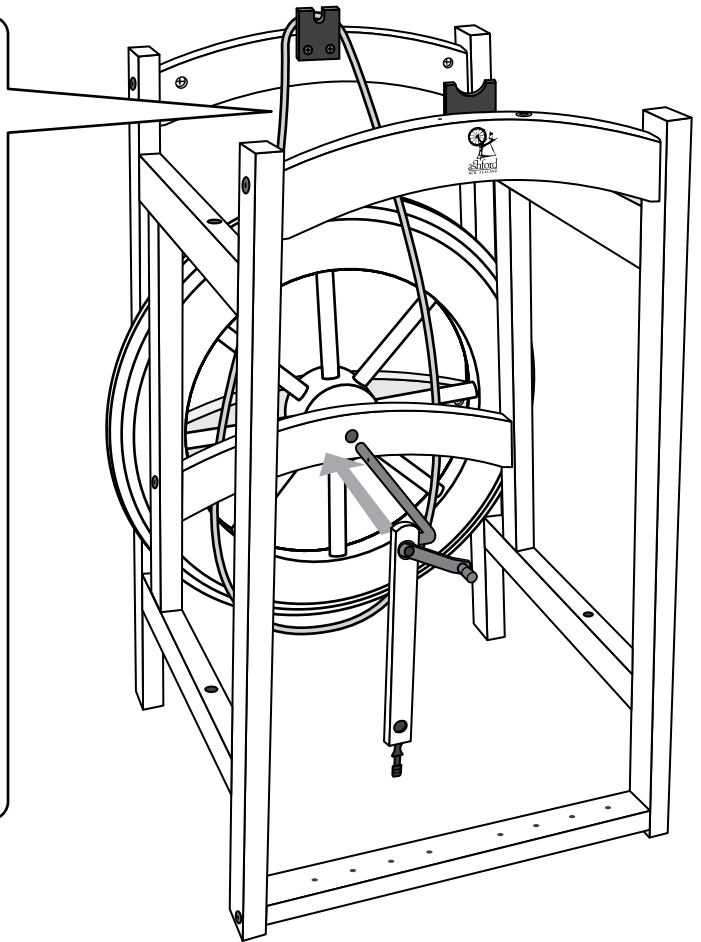
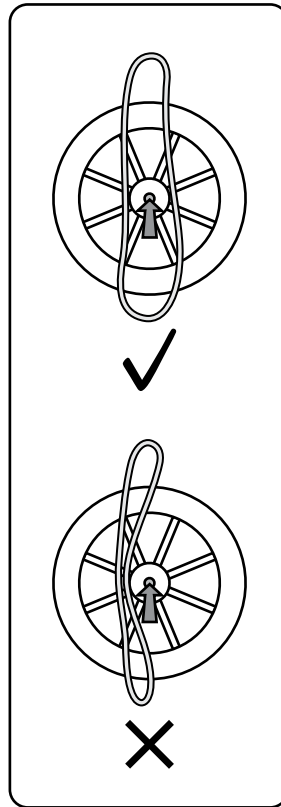
8

Insert the crank through the ball bearing in the front wheel support, through the wheel and into the ball bearing in the rear wheel support.

If tight, loosen the bolts securing the wheel support rails, insert the crank and retighten.

**CHECK:** Make sure the drive belt is still around the wheel.

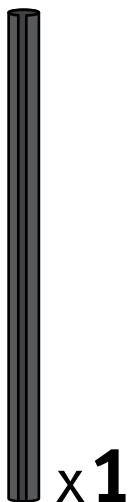
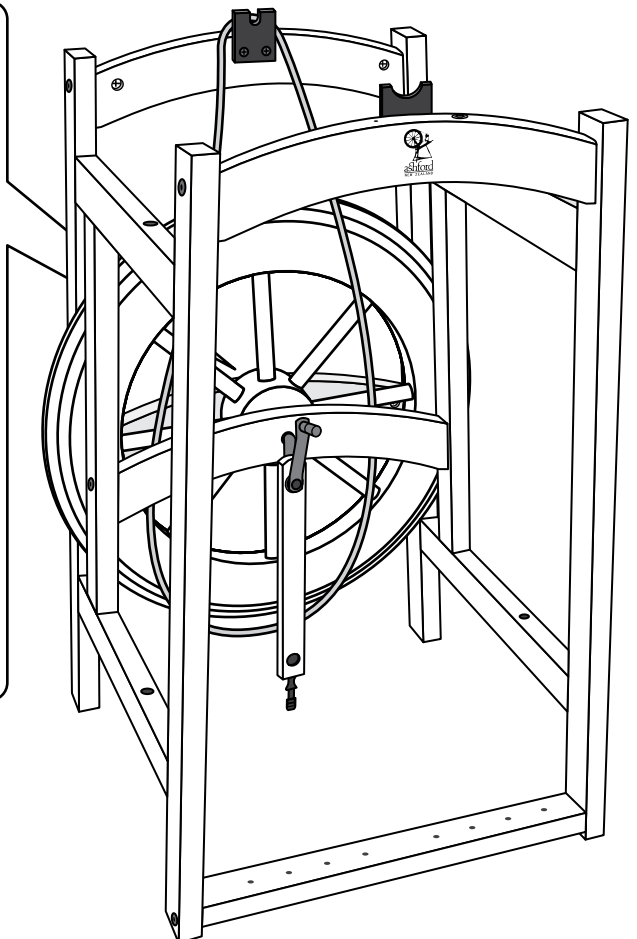
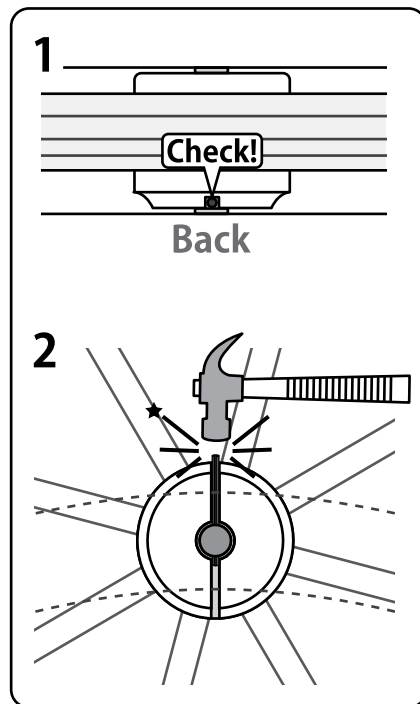
**Check!**



9



Rotate the wheel until the groove in the hub is in line with the hole in the crank. Use the nail provided to check they are perfectly aligned. Then carefully tap the hub pin into position.

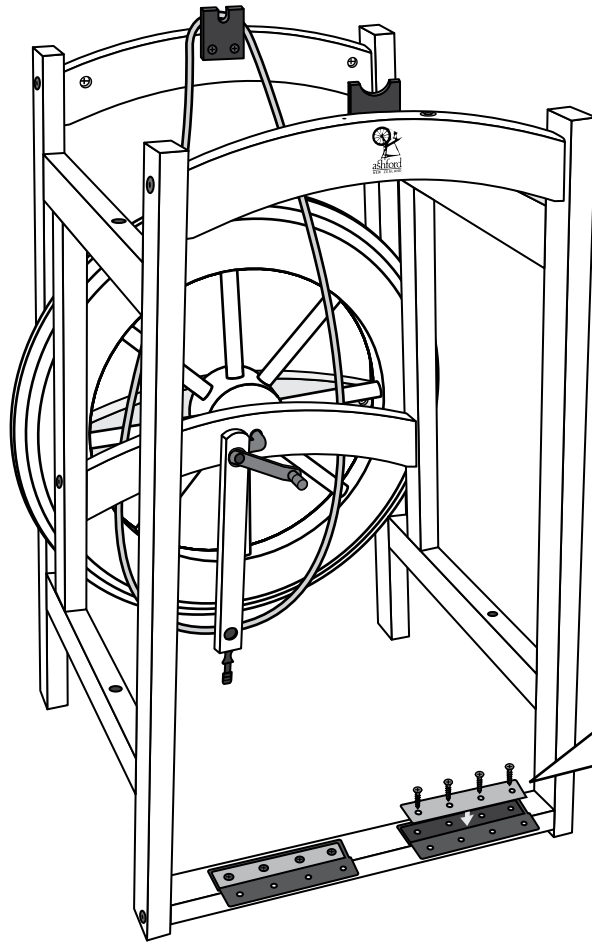


x 1

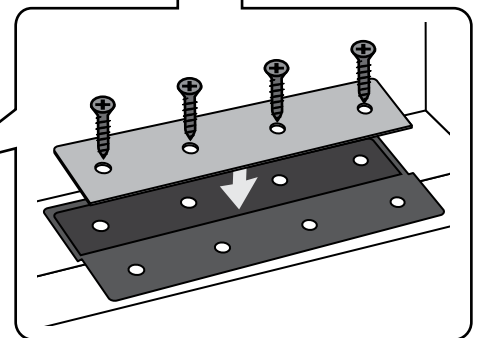
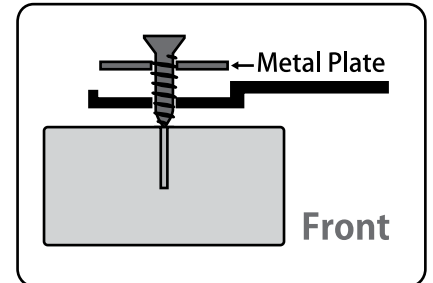
10



Locate the metal cover plates into the polyurethane hinges. Then attach the hinges to the treadle rail with 16mm (5/8") screws.



Check!



x8

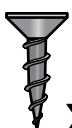
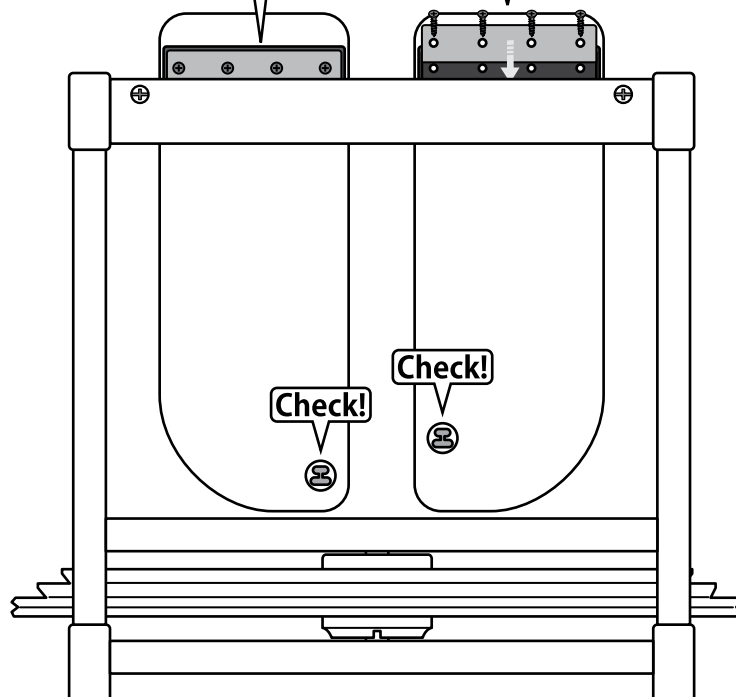
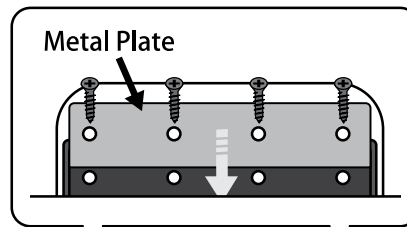
11



Lay the Spinner on its back. Position the treadle boards against the hinges. Locate the metal cover plates into the polyurethane hinges.

**CHECK:** The treadle boards are parallel. Then attach the treadle boards to the hinges with 16mm (5/8") screws.

Check!

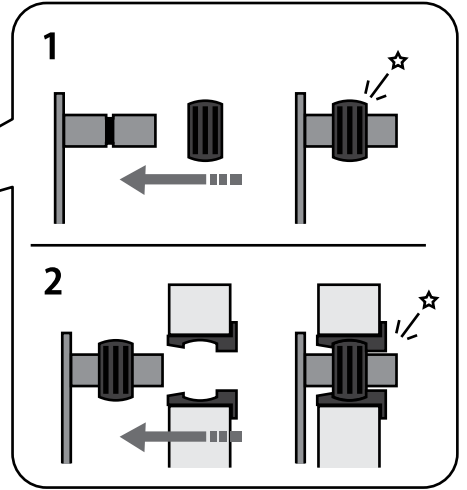
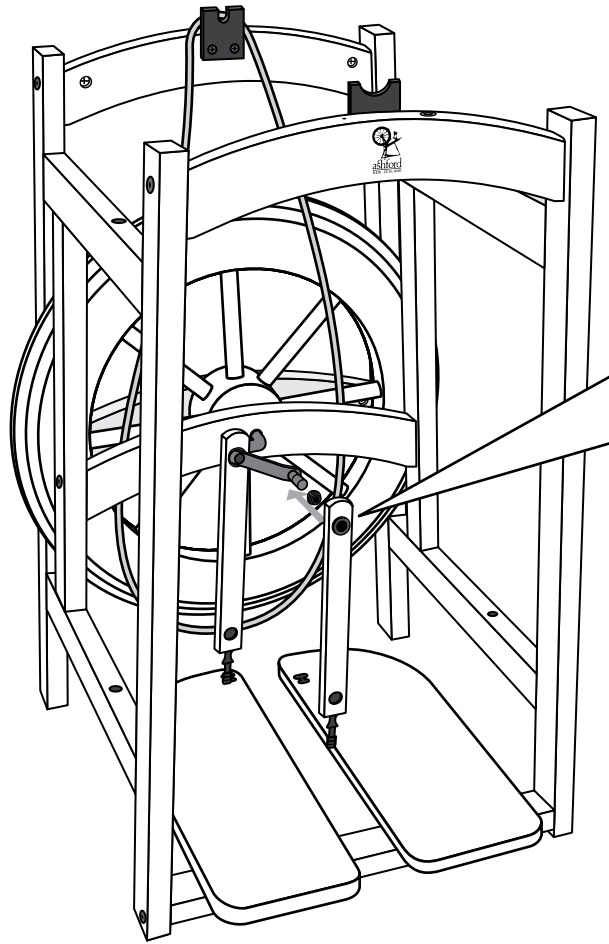


x8



12

Slide the inner shell of the conrod universal joint onto the crank until it clicks into the groove.

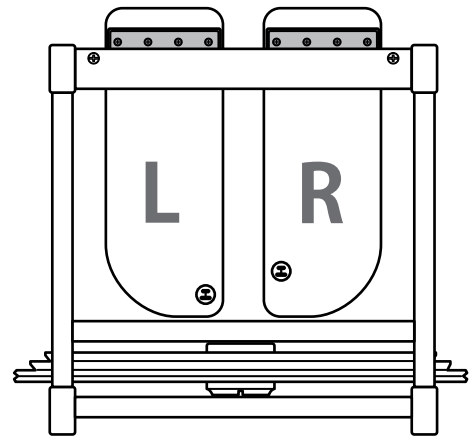
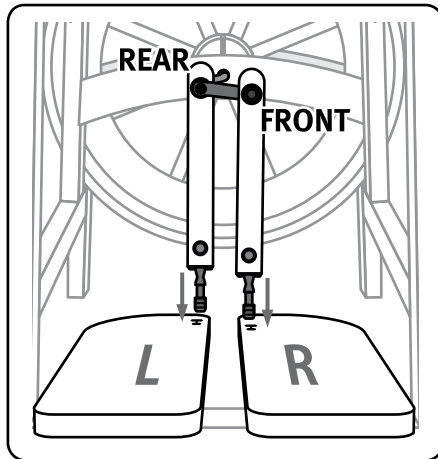


13

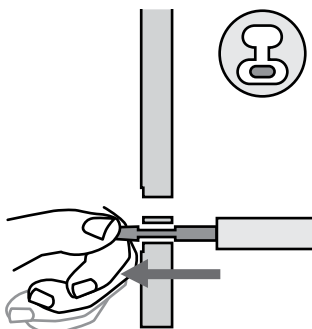
Lay the Spinner on its back. Insert the front conrod joint into the large slot in right hand treadle board.

**NOTE:** The front conrod will attach to the right treadle board. The rear conrod will attach to the left treadle board.

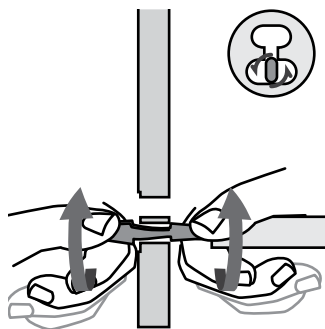
Check!



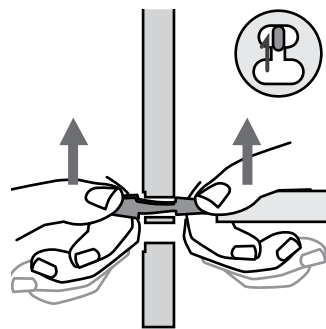
**1** Hold the conrod joint with one hand on either side of the treadle board.



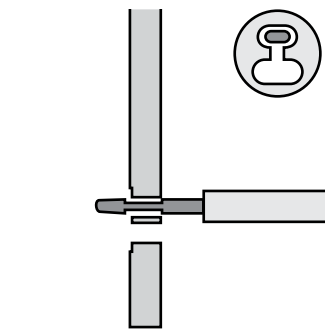
**2** With both hands turn the conrod joint a 1/4 turn towards you.



**3** Stretch and slide it up into the small slot and turn it back a 1/4 turn until it clicks into place.



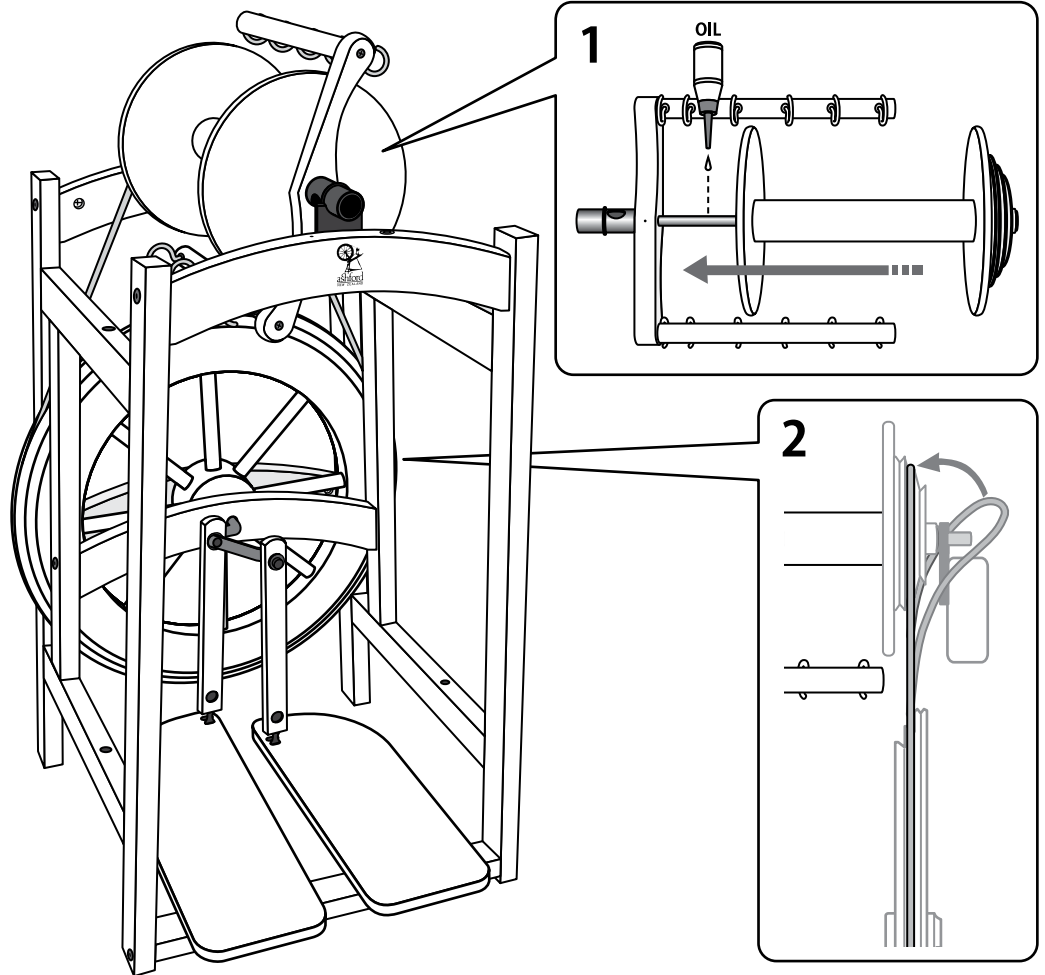
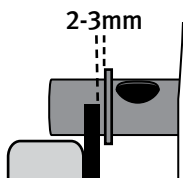
**4** Repeat this sequence for the rear conrod and the left treadle board.



14

Apply a drop of oil to the flyer shaft and slide the bobbin onto it. Then position the flyer into the front and back flyer bearings. At the same time locate the stretchy drive belt on to the middle groove in the bobbin whorl & wrap it around the middle groove in the wheel.

**CHECK:** There should be 2-3mm (1/8") clearance between the flyer and flyer bearings. If not loosen the bolts securing the top rails, adjust the clearance and retighten.



15



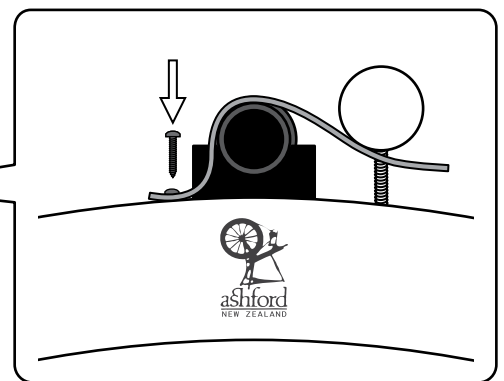
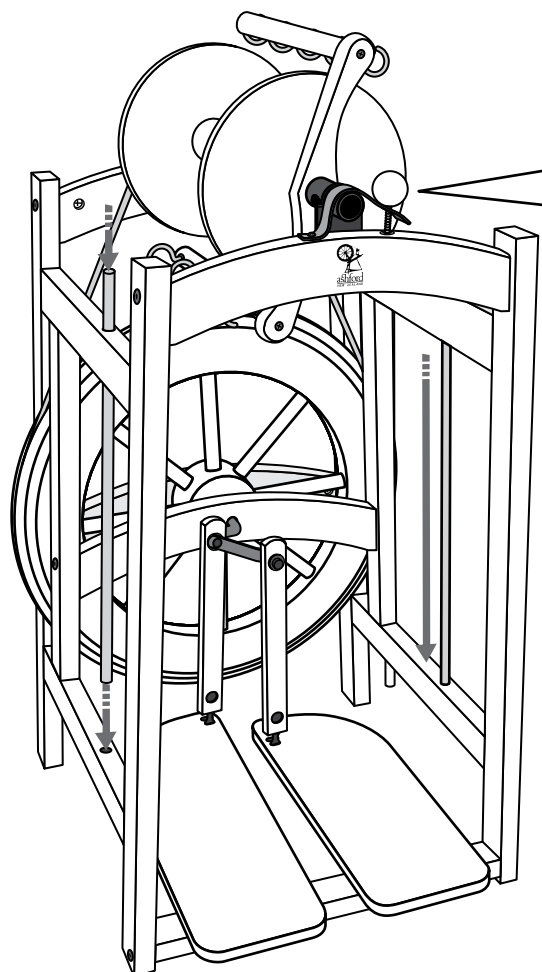
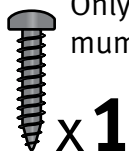
Attach the leather brake to the front top rail with a 15mm (5/8") round head screw.

Thread the tension knob through the leather brake band and into the front top rail.

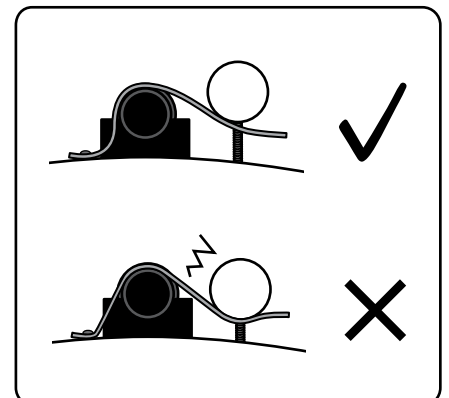
Insert the 2 wooden lazy kate rods into the holes in the sides of the Spinner. If you want to ply your yarn, spare bobbins are available from your local Ashford Dealer.

**HINT:** The Spinner is bobbin lead and will require very little tension to draw the yarn onto the bobbin.

Only apply a minimum tension.



**Check!**



# Ratio

## Slow 3:1

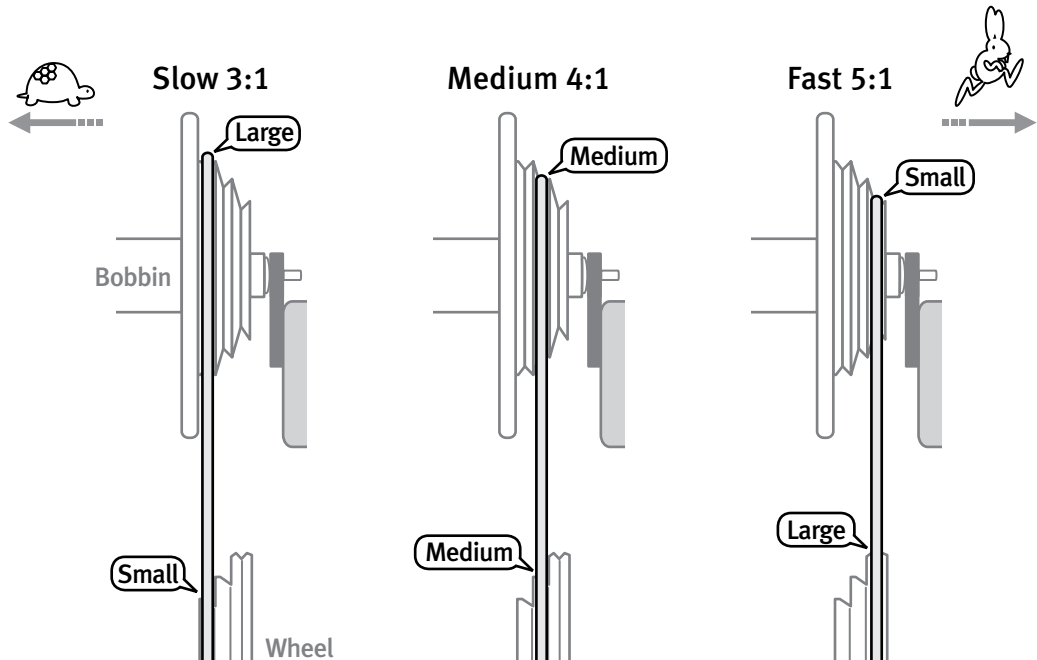
Use this ratio for extra bulky yarns with the least twist.

## Medium 4:1

Use this ratio for medium to bulky yarns.

## Fast 5:1

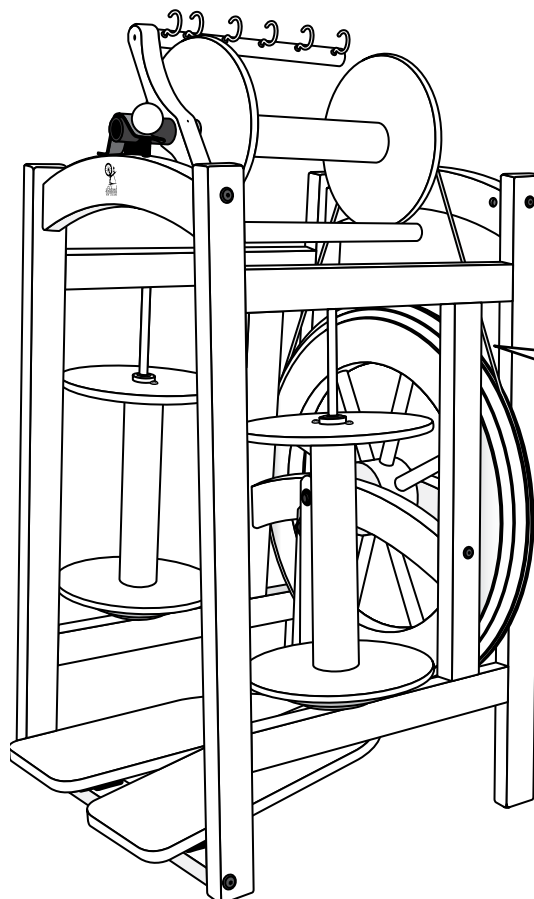
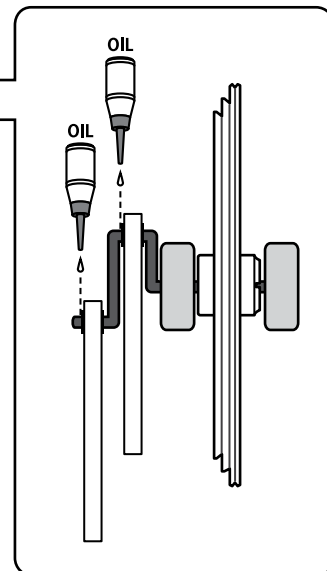
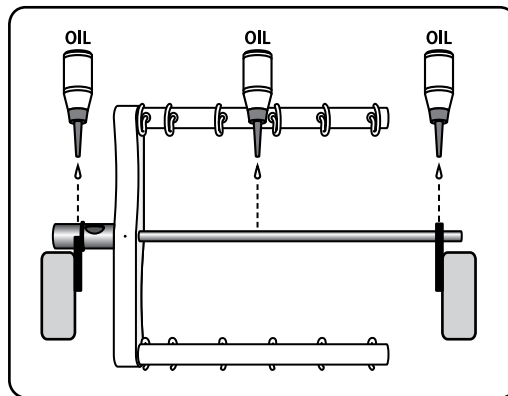
Use this ratio for fine to medium bulky yarns and plying.



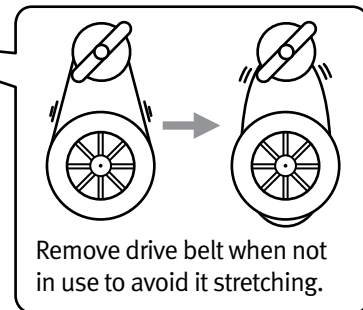
# Maintenance

To make spinning easier apply a drop of Ashford Spinning Wheel Oil to the flyer, bobbin and conrod bearings.

## Check!



## Check!



## Spinning on the Country Spinner 2.

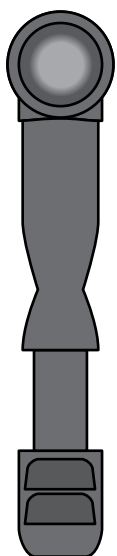
Because the Country Spinner 2 is bobbin lead, your yarn needs to be strong enough to turn the flyer.

- Place the drive belt on the slow ratio.
- Loosen the leather brake so there is no tension on the flyer shaft.
- Tie a 1.5m (5') leader to the bobbin; wrap it around the flyer hooks & out through the flyer orifice.
- Start treadling slowly clockwise (60 RPM is ideal).
- Allow your prepared fibre to join onto the leader and feed the spun yarn onto the bobbin.
- If your yarn kinks, is over twisted or won't feed on, treadle slower, draft a thinner yarn and increase the brake tension.
- If your yarn breaks, treadle faster or move to a higher ratio, draft a thicker yarn, reduce the brake tension and oil the bearings.

Refer to the Learn To Spin Booklet for more spinning hints.

*Happy spinning.*

### Memo



**How to insert the polyurethane conrod joints into the conrod.**

\*This has been pre-assembled in the factory.

